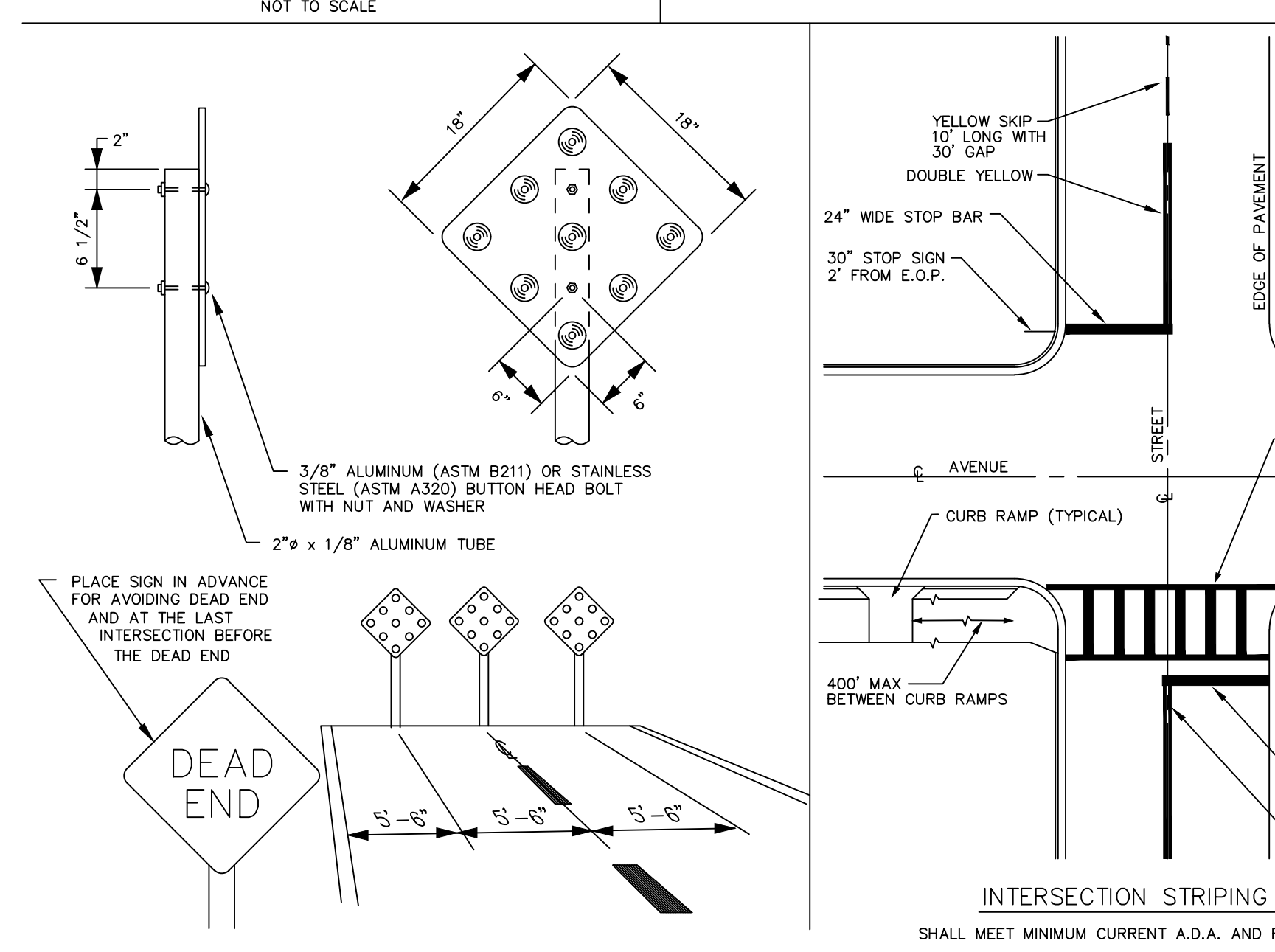
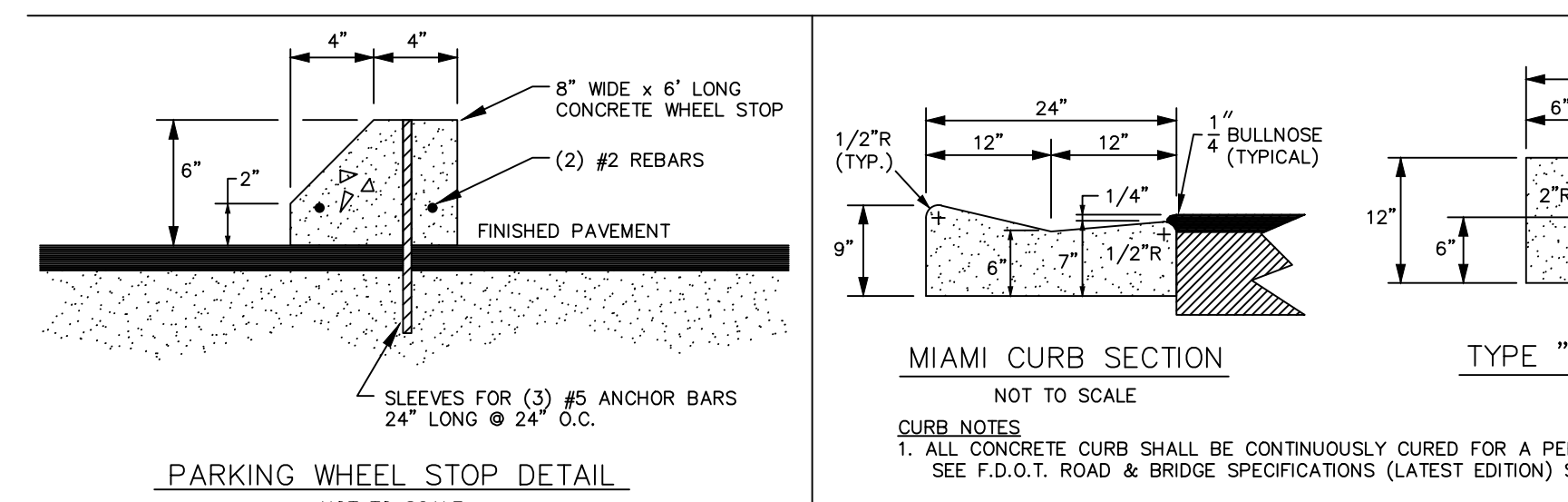


- NOTES FOR DUAL STREET SIGN WITH STOP SIGN:**
- STREET SIGN LENGTH TO BE 24" MINIMUM & 60" MAXIMUM. LONGER SIGNS BY SPECIAL PERMISSION FROM THE CITY ONLY. STREET NAME SIGNS MAY BE ON SEPARATE POST INSTALLATIONS WHEN REQUIRED USE 3/8" OR APPROVED EQUAL GREEN FACE SHEETING MATERIAL WITH 1/2" WHITE BORDER ON EDGE OF FACE.
  - STAINLESS STEEL FLATWASHER TO FACE EACH SIDE; ADDITIONAL LOCKWASHER TO GO BETWEEN SCREW NUT & FLATWASHER ON OPPOSITE SIDE FROM BOLT HEAD. USE ALL STAINLESS STEEL FASTENERS. ALL HOLES TO BE 5/16" DIA. MIN. TO 7/16" DIA. MAX. HOLES ON END OF STREET SIGN FOR REQUIRED PINNING OF (2) SIGNS TOGETHER.
  - SIGN POST SHALL BE 2" (OUTSIDE) SQUARE TUBING, HOT DIP GALVANIZED, PRE-PUNCHED, 12 GA. STEEL. POST SHALL BE 14" MIN. TOTAL LENGTH, ONE PIECE. "STOP" SIGN SHALL BE 7" (MIN.) ABOVE E.O.P. AT 2" CLEAR FROM E.O.P. TO EDGE OF STOP SIGN FACE. POST TO BE SET 3" MIN. IN GROUND, AND EARTH PACKED FIRMLY AROUND POST END WITH TAMPING ROD.
  - LOWER STREET SIGN SHALL NOT BE MOUNTED PERPENDICULAR TO "STOP" SIGN FACE; THESE TWO SIGN SURFACES ARE TO OCCUPY THE SAME VERTICAL PLANE.
  - TOP END OF SIGN POST SHALL MEET TOP EDGE OF TOP SIGN.
  - "STOP" SIGN FACE SHALL BE 3M OR APPROVED EQUAL, "HIGH INTENSITY."
  - ALL SIGNS SHALL BE ALUMINUM BLANKS, 0.063" THK, FOR STREET SIGNS, 0.080" THK, FOR STOP SIGNS, 3M OR APPROVED EQUAL COVERED.
  - SIGNING LAYOUT REQUIREMENTS: "STREET NAME" SHOWN TYPICAL STROKE .75" 5.0" "O" SERIES, UPPER CASE TYPICAL SINGLE GAP .75" 4.0" "C" SERIES, LOWER CASE TYPICAL DOUBLE GAP 1.50" 2.0" "O" SERIES, UPPER CASE
  - DETAIL "Y" SHOWS REQUIRED USE OF THE "5" SERIES "D" UPPER CASE LETTER WITH 4" LOWER CASE LETTERS FOLLOWING THE INITIAL LETTER OF THE STREET NAME. PUBLIC ROAD SIGNS SHALL HAVE A GREEN BACKGROUND WITH WHITE LETTERING. PRIVATE ROAD SIGNS SHALL HAVE A WHITE BACKGROUND WITH BLUE LETTERING.
  - SHEETING: ALL SHEET MATERIAL SHALL BE 3M OR APPROVED EQUAL INK SCREENED STREET NAME SIGNS SHALL BE 3M OR APPROVED EQUAL INK.
  - INSPECTION: ALL ERECTED STREET NAME SIGN MATERIAL SHALL BE SUBJECT TO REJECTION.
  - SPEED LIMIT SIGNS INDICATING THE STATUTORY SPEED LIMITS SHALL BE INSTALLED AT THE ENTRANCES. ADDITIONAL SIGNS MAY BE REQUIRED BY THE CITY MANAGER OR DESIGNER.



**REVISIONS**

REV. NO.	DESCRIPTION	DATE	BY	CHECKED BY
DR: CC 3/19	DR: KF 1/19	CK: KF 3/19	DR: KF 1/19	CK: KF 3/19
REV. NO. AP: KF 3/19	DESCRIPTION: UPDATED INTERSECTION, CURB RAMP AND LOCAL ROAD DETAILS.	DATE:	BY:	CHECKED BY:

**OFF STREET PARKING STALL REQUIREMENT TABLE**

PARKING ANGLE	WIDTH OF STALL	DEPTH OF STALL	MINIMUM WIDTH OF TRAVELWAY	LENGTH OF CURB PER CAR
COMMERCIAL 0°	10'-0"	23'-0"	24'-0"	23'-0"
COMMERCIAL 45°	10'-0"	19'-10"	16'-0"	12'-9"
COMMERCIAL 60°	10'-0"	21'-0"	18'-0"	10'-5"
COMMERCIAL 90°	10'-0"	20'-0"	24'-0"	10'-0"
RESIDENTIAL	8'-0"	20'-0"	10'-0"	AS COMMERCIAL ABOVE
HANDICAP ACCESSIBLE PARKING	12'-0"	20'-0"	AS COMMERCIAL ABOVE	

